



# *CX5500 CSA Gasoline Portable Generator Parts Manual*

---

**⚠ WARNING**

California Proposition 65. Engine exhaust and some of its constituents are known to the state of California to cause cancer, birth defects, and other reproductive harm.

(000004)

---

**⚠ WARNING**

California Proposition 65. This product contains or emits chemicals known to the state of California to cause cancer, birth defects, and other reproductive harm.

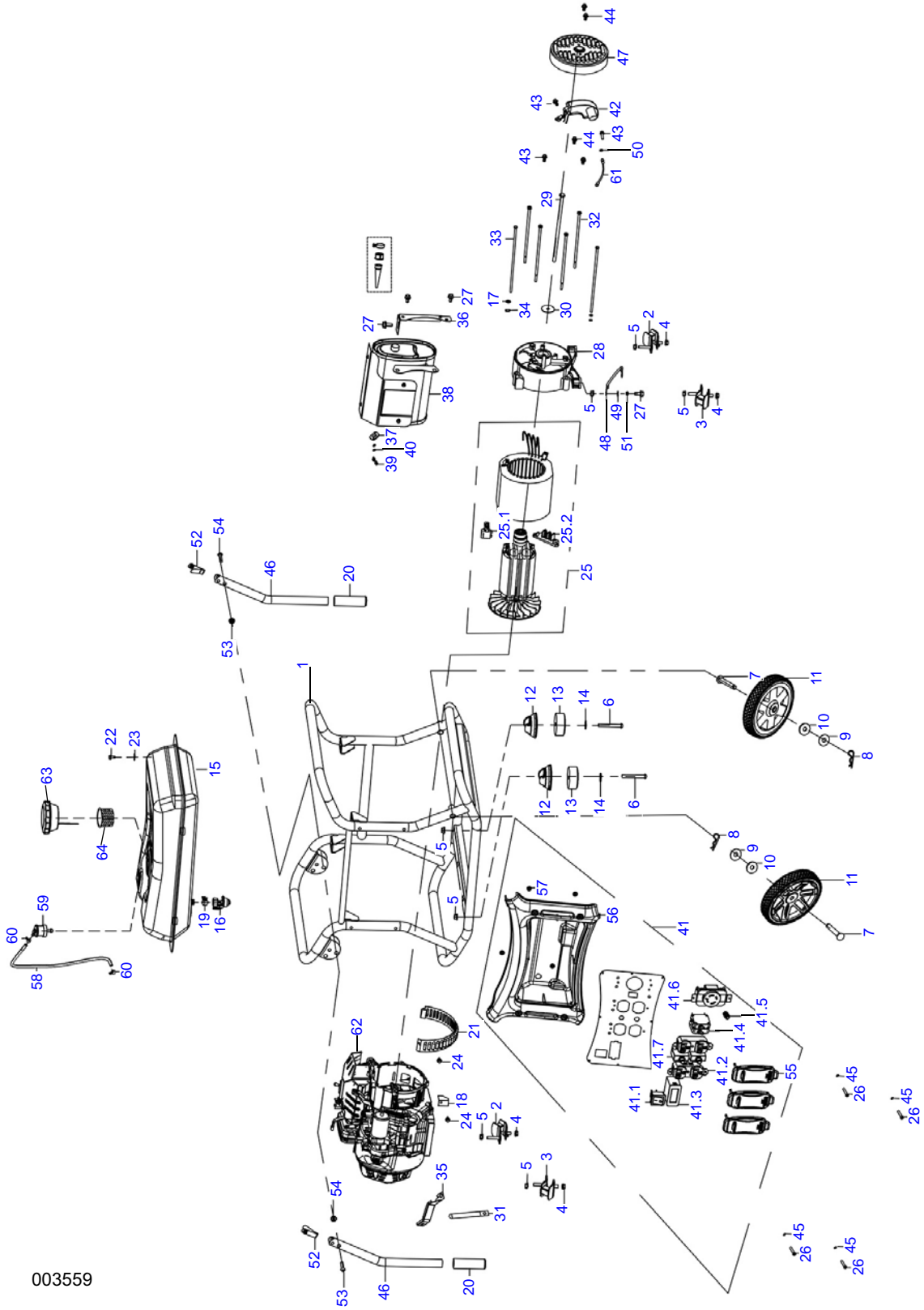
(000005)

---

The information in this manual is accurate based on products produced at the time of publication. The manufacturer reserves the right to make technical updates, corrections, and product revisions at any time without notice.

**www.powermate.com  
1-800-445-1805**

003559



| Item | Part No.    | Description                | Qty. |
|------|-------------|----------------------------|------|
| 1    | 10000006331 | FRAME                      | 1    |
| 2    | 10000004640 | ISOLATOR A                 | 2    |
| 3    | 10000004650 | ISOLATOR B                 | 2    |
| 4    | 10000004652 | NUT (M10)                  | 4    |
| 5    | 10000004612 | NUT (M8)                   | 5    |
| 6    | 10000006319 | ALLEN HEAD SCREW (M8X80)   | 2    |
| 7    | 10000006340 | WHEEL AXLE                 | 2    |
| 8    | 10000004552 | LOCK PIN (3X56)            | 2    |
| 9    | 10000004651 | FLAT WASHER                | 2    |
| 10   | 10000004750 | FLAT WASHER                | 2    |
| 11   | 10000006341 | WHEEL                      | 2    |
| 12   | 10000004648 | FRAME SUPPORT              | 2    |
| 13   | 0070489SRV  | VIBRATION ISOLATION PAD    | 2    |
| 14   | 10000004605 | FLAT WASHER                | 2    |
| 15   | 10000006332 | FUEL TANK ASSEMBLY         | 1    |
| 16   | 10000005977 | FUEL COCK                  | 1    |
| 17   | 10000004606 | SPRING WASHER              | 1    |
| 18   | 10000004667 | DUST COVER                 | 1    |
| 19   | 10000006023 | FUEL LINE CLIP             | 1    |
| 20   | 10000004679 | RUBBER HANDLE GRIP         | 2    |
| 21   | 10000004636 | DUST COVER                 | 1    |
| 22   | 10000004580 | FLANGE BOLT (M6X25)        | 4    |
| 23   | 10000004569 | FUEL TANK WASHER           | 4    |
| 24   | 10000004429 | FLANGE BOLT (M6X12)        | 2    |
| 25   | 10000006342 | ROTOR AND STATOR ASSEMBLY  | 1    |
| 25.1 | 10000004626 | CARBON BRUSH ASSEMBLY      | 1    |
| 25.2 | 10000004633 | WIRE TERMINAL              | 1    |
| 26   | 10000004699 | INTERNAL HEX SCREW (M6X45) | 4    |
| 27   | 10000004579 | FLANGE BOLT (M8X16)        | 4    |
| 28   | 0071567SRV  | REAR BEARING CARRIER       | 1    |
| 29   | 10000006323 | ROTOR BOLT                 | 1    |
| 30   | 10000004637 | ROTOR BOLT GASKET          | 1    |
| 31   | 10000004451 | WIRE HARNESS CLIP          | 1    |
| 32   | 10000004550 | BOLT                       | 4    |
| 33   | 10000006277 | STATOR BOLT                | 2    |
| 34   | 10000004628 | NUT (M5)                   | 2    |
| 35   | 10000004661 | AIR CLEANER BRACKET        | 1    |
| 36   | 10000004653 | MUFFLER BRACKET            | 1    |
| 37   | 10000004609 | EXHAUST PIPE GASKET        | 1    |
| 38   | 10000006283 | MUFFLER ASSEMBLY           | 1    |

| Item | Part No.    | Description                           | Qty. |
|------|-------------|---------------------------------------|------|
| 39   | 10000004494 | FLANGE BOLT (M8X30)                   | 2    |
| 40   | 10000004417 | SPRING WASHER                         | 2    |
| 41   | 10000006333 | CONTROL PANEL                         | 1    |
| 41.1 | 10000006284 | SWITCH ASSEMBLY                       | 1    |
| 41.2 | 10000004565 | DOUBLE RECEPTACLE (5-20R/UL)          | 2    |
| 41.3 | 10000004566 | MULTIFUNCTIONAL METER                 | 1    |
| 41.4 | 10000006334 | CIRCUIT BREAKER (2P/23A CSA)          | 1    |
| 41.5 | 10000006080 | GROUND TERMINAL                       | 1    |
| 41.6 | 10000004643 | ANTI-DE-FOUR HOLE SOCKET (L14-30R/UR) | 1    |
| 41.7 | 10000006320 | CIRCUIT BREAKER (20A/CSA)             | 2    |
| 42   | 0071568SRV  | AUTOMATIC VOLTAGE REGULATOR           | 1    |
| 43   | 10000004551 | BOLT (M5X16)                          | 4    |
| 44   | 10000004568 | BOLT (M5X12)                          | 3    |
| 45   | 10000004616 | FLAT WASHER                           | 4    |
| 46   | 10000006285 | HANDLE ASSEMBLY                       | 2    |
| 47   | 0071569SRV  | GENERATOR END COVER                   | 1    |
| 48   | 0070830SRV  | GROUND WIRE                           | 1    |
| 49   | 10000004604 | STAR WASHER                           | 1    |
| 50   | 10000004621 | STAR WASHER                           | 2    |
| 51   | 10000004668 | FLAT WASHER                           | 1    |
| 52   | 10000004555 | SNAP BUTTON                           | 2    |
| 53   | 10000004599 | INTERNAL HEX SCREW (M8X50)            | 2    |
| 54   | 10000004624 | SELF-TAPPING HEX NUT (M8)             | 4    |
| 55   | 10000004587 | DUST COVER                            | 3    |
| 56   | 10000006303 | CONTROL PANEL REAR COVER              | 1    |
| 57   | 10000004631 | LOCK NUT (M6)                         | 4    |
| 58   | 10000004656 | CONNECTING PIPE                       | 1    |
| 59   | 10000006050 | ROLLOVER VALVE                        | 1    |
| 60   | 10000004450 | FUEL LINE CLIP                        | 2    |
| 61   | 10000004710 | GROUNDING WIRE                        | 1    |
| 62   | 0L1802A     | 420CC GASOLINE ENGINE                 | 1    |
| 63   | 10000006141 | FUEL CAP                              | 1    |
| 64   | 10000006142 | FUEL FILTER                           | 1    |

**NOTE:** To order replacement engine parts, see manual 0L1802PMNL.

---

Part No. 10000004768      Rev. A 02/01/2017  
©2017 Powermate, LLC. All rights reserved.  
Specifications are subject to change without notice.  
No reproduction allowed in any form without prior written  
consent from Powermate, LLC.



Powermate, LLC  
S45 W29290 Hwy. 59  
Waukesha, WI 53189  
1-800-445-1805  
[www.powermate.com](http://www.powermate.com)